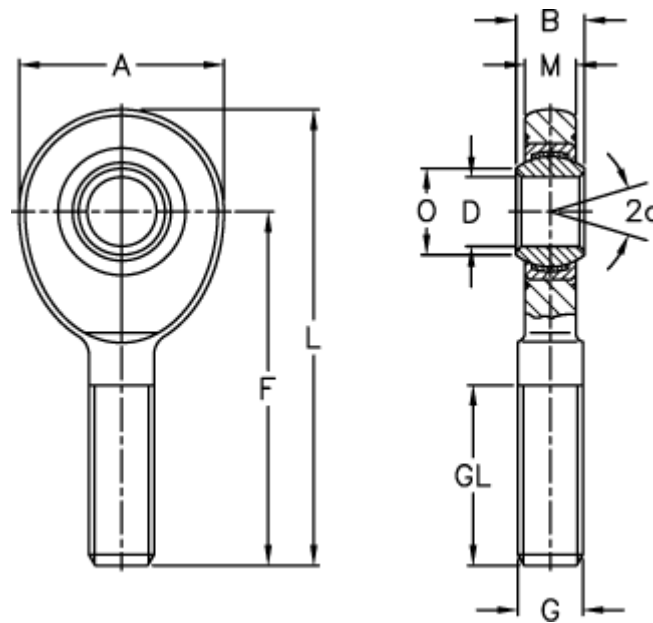


Article number: 03489025
 Description: Fluro Rod end EAL 25D-NIRO
 Note: 25

Measures



A	= 64	L	= 126
a (degrees)	= 7	M	= 17
B	= 20	O	= 29.3
D	= 25	Static drive kN	= 73
Dynamic drive (kN)	= 96	Weight	= 570
F	= 94		
g	= M24x2		
GL	= 53		